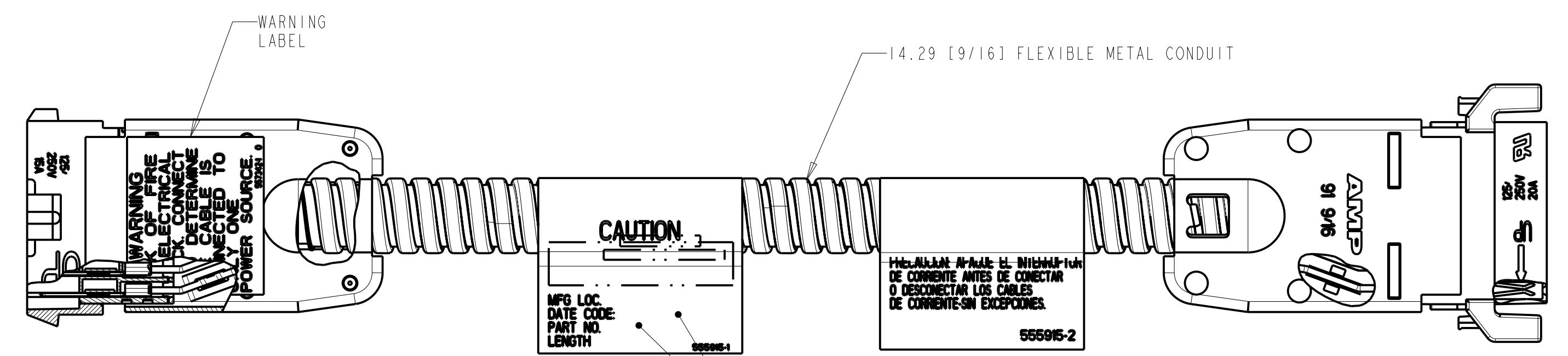
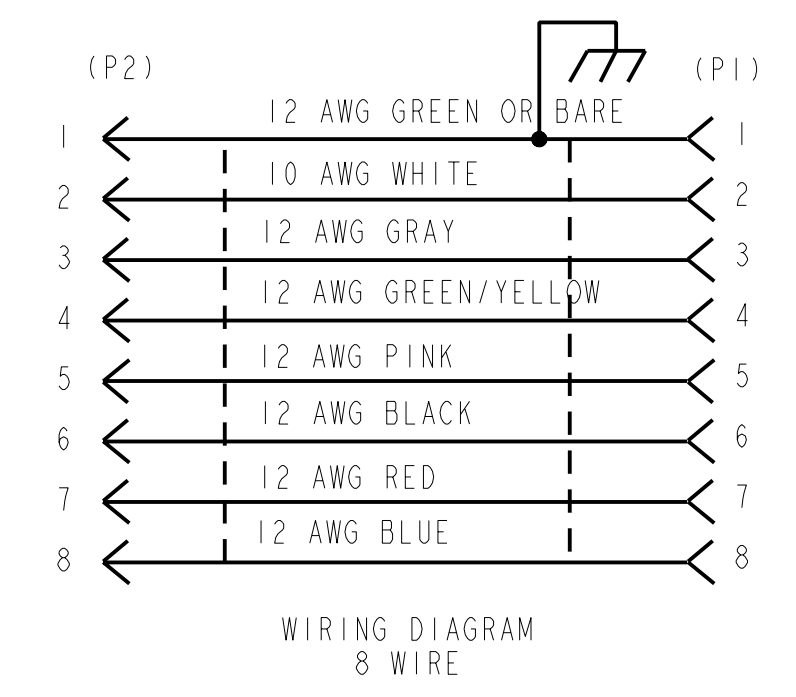
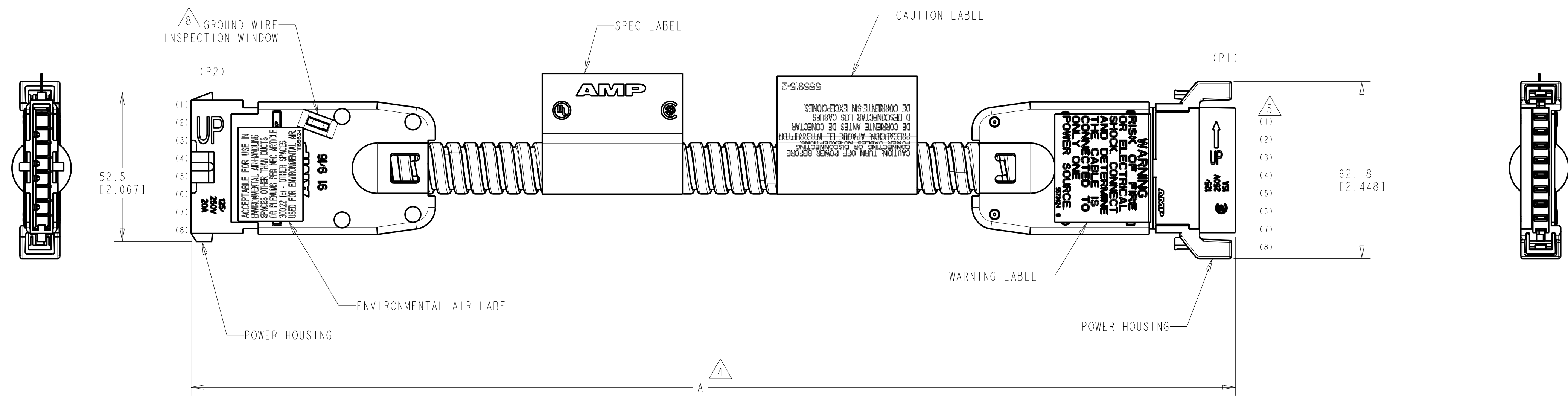
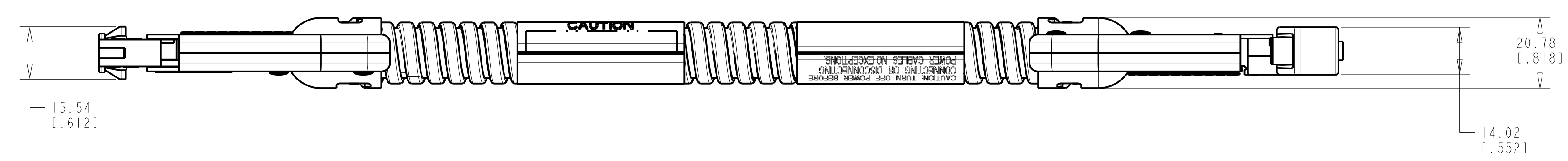


| LOC | DIST | REVISIONS | | | | | |
|-----|------|-----------|-----|---------------------|-----------|-----|------|
| | | P | LTR | DESCRIPTION | DATE | DWN | APVD |
| | | R | | REDWN: 0B40-0354-01 | 19DEC01 | TP | FL |
| | | S | | REV: ECO-06-001975 | 07FEB2006 | GG | FL |
| | | T | | REV ECO-07-021712 | 25OCT2007 | LH | SJ |
| | | U | | REV ECO-09-013981 | 19JUN2009 | LH | SJ |



- 1 DIMENSIONS SHOWN ARE MAXIMUM UNLESS OTHERWISE SPECIFIED.
- 2. CABLE ASSEMBLY IS WIRED PER ELECTRICAL DIAGRAM.
- 3 MATERIAL:
 CONNECTOR HOUSINGS - POLYCARBONATE, UL 94V-0, BLACK.
 STRAIN RELIEFS - CARBON STEEL WITH NICKEL PLATING
 5.08µm [0.00200] MINIMUM THICK
 CONTACTS - COPPER ALLOY WITH SILVER PLATED STRIP
 3.81µm [0.00150] MINIMUM THICK.
- 4 DIMENSION "A" SHALL BE MEASURED WITH CONDUIT IN THE RELAXED POSITION.
- 5 DESIGNATIONS IN PARENTHESES () ARE FOR REFERENCE ONLY.
- 6 MANUFACTURING LOCATION, DATE CODE, PART NUMBER AND LENGTH SHALL BE INK STAMPED WHERE INDICATED.
- 7. APPLICATION:
 AMPINERGY™ MODULAR WIRING SYSTEM, A MANUFACTURED WIRING SYSTEM.
- 8 USE GROUNDED WIRE INSPECTION WINDOW TO VERIFY BONDING AND GROUNDING CONDUCTOR.



| | |
|------------|---------------|
| 1-556731-3 | 15.24 [50.00] |
| 2-556731-9 | 12.19 [40.00] |
| 2-556731-8 | 9.14 [30.00] |
| 2-556731-4 | 7.62 [25.00] |
| 2-556731-6 | 6.10 [20.00] |
| 556731-3 | 4.57 [15.00] |
| 2-556731-5 | 3.05 [10.00] |
| 1-556731-1 | 1.52 [5.00] |
| 1-556731-0 | 1.22 [4.00] |
| 556731-8 | 0.91 [3.00] |
| 556731-6 | 0.61 [2.00] |
| PART NO. | A DIM [FEET] |

| | | | | | | | |
|-----------------------------|--|---|--|---|--|---|--|
| DIMENSIONS: MM [INCHES] | | TOLERANCES UNLESS OTHERWISE SPECIFIED: 0 PLC ± .1 1 PLC ± .1 2 PLC ± .1 3 PLC ± .1 4 PLC ± .1 ANGLES ± .1 | | DWN T. PITTS 19DEC01 CHK L. SMITH 02JAN02 APVD F. LINCOLN 02JAN02 | | Tyco Electronics Harrisburg, PA 17105-3608 | |
| MATERIAL: - FINISH: - | | WEIGHT: - SCALE: 1:1 | | PRODUCT SPEC: - APPLICATION SPEC: - SIZE: A CAGE CODE: 00779 DRAWING NO: 556731 | | RESTRICTED TO: - SHEET: 1 OF 1 REV: U | |
| CUSTOMER DRAWING | | | | NAME: CABLE ASSEMBLY, POWER TO LINE, 8 WIRE | | | |